

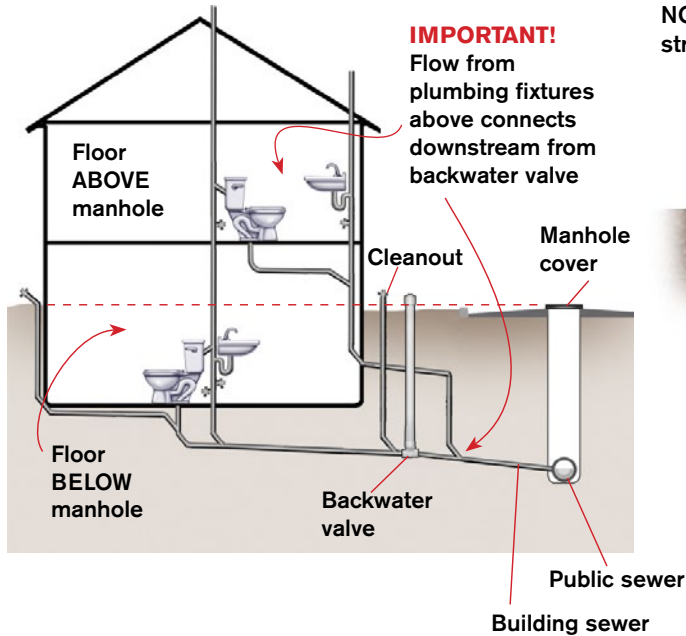


Sewer Lateral Backwater Prevention

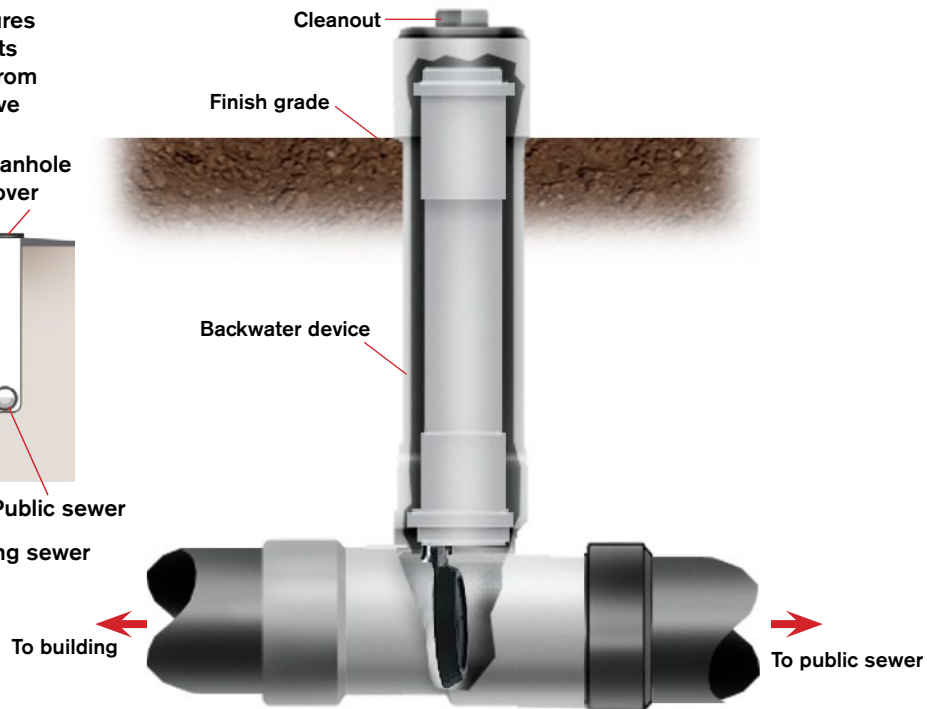
Backwater Valves

California Plumbing Code Section 710.1:

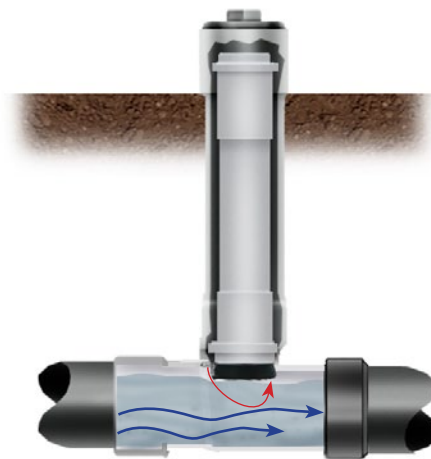
“Drainage piping serving fixtures on a floor, where the floor level is located **BELOW** the elevation of the next upstream manhole cover of the public/private sewer system, shall be protected from the backflow of sewage by installing an approved Backwater Valve.” **Section 710.1 CPC**



NOTE! Top of backwater device **MUST** be below the lowest floor in structure



No water in building sewer, flap opens by gravity, rests against ledge



Discharge from building into building sewer, flap swings upward, discharge flows through into sewer



Sewage backflow into building sewer is stopped by flap directing sewage flow into device, building is protected